

Data sheet

LF-AM2/4

LON mixed analog/digital module

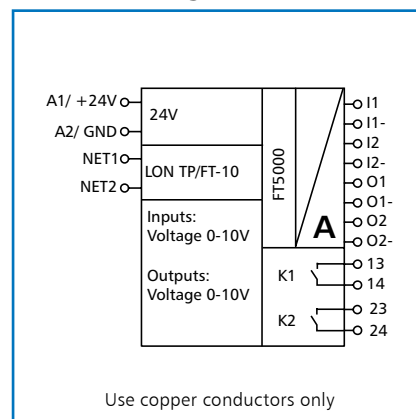
Part number
11085713

2015-03-20

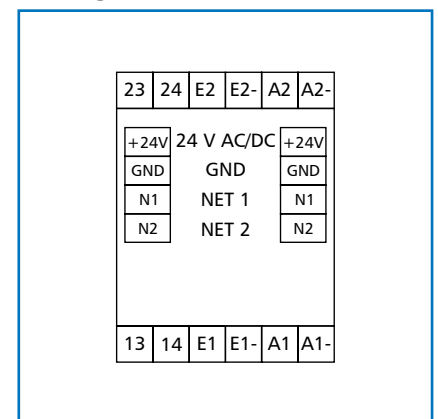
Illustrations



Principle diagram



Wiring



Product description

The LON I/O module with 2 analog inputs, 2 analog outputs and 2 digital outputs. It is suitable for controlling, for example, motorized vent valves and switching on alarm at the set threshold value. The inputs and outputs are scanned and activated by SNVT network variables. The analog inputs can be scanned simultaneously.

The analog outputs can be activated proportionally, or previously defined voltage values can be adjusted. Both digital outputs can be activated individually or as a function of an adjustable threshold value.

Suitable for decentralized mounting on DIN TH35 rail according to IEC 60715 in electrical distribution cabinets.

Data sheet
LF-AM2/4
LON mixed analog/digital module

Page 2/4
Part number
11085713
 2015-03-20

Technical data

Approvals

C-UL Certification	Open Energy Management Equipment 34TZ
--------------------	---------------------------------------

LON interface

Transceiver	TP/FT-10 free topology
Neuron	FT5000
Data format	Standard network variables (SNVT)
Transmission rate	78 kBit/s
Max. length	
Line topology	2700 m / 64 nodes
Free topology	500 m / 64 nodes
Cabling	Twisted Pair

Supply

Operating voltage range	20 to 28 V AC/DC (SELV)
Current consumption	95 mA (AC) / 35 mA (DC)
Relative duty cycle	100 %
Recovery time	550 ms

Input

Inputs	2x analog
Voltage input	0 to 10 V DC
Voltage input max.	11 V DC
Resolution	10 mV (0.0 to 100 %)
Error	100 mV

Output

Outputs	2x analog 2x digital
Analog outputs	
Output voltage	2x 0 to 10 V DC
Output current	5 mA at 10 V DC
Resolution	10 mV (0.0 to 100 %)
Error	100 mV
Digital Output	
Output contacts	2 NO contacts (PhotoMOS relay)
Switching voltage max.	40 V AC/DC
Continuous current max.	100 mA

Data sheet
LF-AM2/4
LON mixed analog/digital module

Page 3/4
Part number
11085713
 2015-03-20

Technical data

Housing	
Dimensions WxHxD	1.378 x 2.728 x 2.362 in. (35 x 69.3 x 60 mm)
Weight	82 g
Mounting position	any
Mounting	on TH35 rail per IEC 60715
Side-by-side mounting	Without space The maximum quantity of LON modules connected side-by-side is limited to 15 or to a maximum power consumption of 2 Amps (AC or DC) per connection to the power supply. For any similar block of additional modules a separate connection to the power supply is necessary.
Material	
Housing	polyamide 6.6 V0
Terminal blocks	polyamide 6.6 V0
Cover plate	polycarbonate
Type of protection (IEC 60529)	
Housing	IP40
Terminal blocks	IP20
Terminal blocks	
Supply and bus	
Terminal block	4-pole
Solid wire	max. AWG 16 (1.5 mm ²)
Stranded wire	max. AWG 18 (1.0 mm ²)
Wire diameter	0.3 mm to max. 1.4 mm
Module connection, analog/digital inputs & outputs	
Solid wire	max. AWG 12 (4 mm ²)
Stranded wire	max. AWG 14 (2.5 mm ²)
Wire diameter	0.3 mm to max. 2.7 mm
Protective circuitry	Polarity reversal protection of operating voltage Polarity reversal protection of supply and bus
Temperature range	
Operation	23 °F to 131 °F (-5 °C to +55 °C)
Storage	-4 °F to +158 °F (-20 °C to +70 °C)
Display	
Operation	green LED
Status (Service)	yellow LED
Additional documents	
Software description, mounting note, certificates	All additional documents are available for download at www.metz-connect.com



Data sheet
 LF-AM2/4
 LON mixed analog/digital module

Page 4/4
 Part number
 11085713
 2015-03-20

Dimensional drawing

