

Data sheet

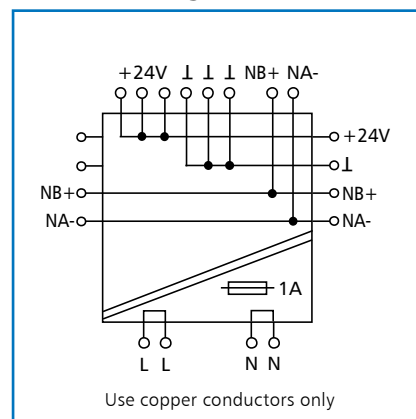
NG4 HS

Power supply

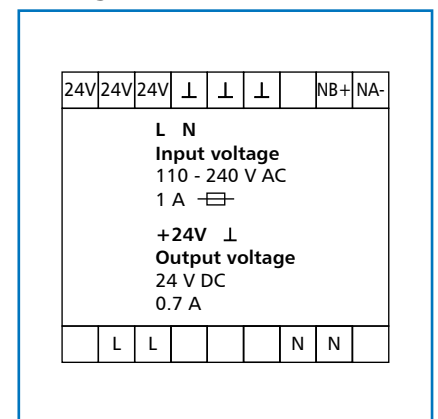
Illustrations



Principle diagram



Wiring



Product description

The NG4 HS power supply supplies a regulated direct voltage of 24 V DC / 16 W for supplying power to the respective devices of the product family of I/O components.

The secondary voltage can only be tapped at the right side of the device front at a pluggable terminal block and at the screw-type terminal blocks on the top of the device. The bus communication can be tapped on both sides of the device front.

A parallel operation of various power supply units is not allowed.

Suitable for decentralized mounting on DIN TH35 rail according to IEC 60715 in electrical distribution cabinets.

Technical Data

Field of application	
For I/O components of the series	LON (LF-xxx), BACnet (BMT-xxx), Modbus (MR-xxx)
Inputs	
Input voltage range	110 to 240 V AC, 47 to 63 Hz
Contact fuse	internal T 1,0 AL/250 V, soldered fuse
Outputs	
Output voltage	+24 V DC (SELV)
Output current max.	700 mA
Output power	16 W
Load and control accuracy	+/- 3 %, Tu = 20° C
Protection and monitoring	
Permanently short-circuit proof	yes
Open-circuit proof	yes
Mains failure backup	smaller than 40 ms at 230 V AC and full load
Electric strength	4000 V AC input/output
Device safety/EMC	
CE conformity	The device was tested according to the applicable standards. Conformity was proofed, the declaration of conformity is available at METZ CONNECT.
Output	Safety extra-low voltage (SELV) according to EN 60950
Protection class	2

Data sheet
NG4 HS
Power supply

Page 3/4
Part number
110561
 2016-12-13

Technical data

Housing	
Dimensions WxHxD	1.969 x 2.728 x 2.362 in. (50 x 69.3 x 60 mm)
Weight	108 g
Mounting position	any
Mounting	rail TH35 according to IEC 60715
Side-by-side mounting	without space
Material	
Housing	polyamide 6.6 V0
Terminal blocks	polyamide 6.6 V0
Cover	polycarbonate
Type of protection (EN 60 529)	
Housing	IP40
Terminal blocks	IP20
Terminal blocks	
Front side, pluggable	
Terminal block	4-pole
Solid wire	max. AWG 16 (1.5 mm ²)
Stranded wire	max. AWG 18 (1.0 mm ²)
Wire diameter	0.3 mm to max. 1.4 mm
Integrated in the housing	
Solid wire	max. AWG 12 (4 mm ²)
Stranded wire	max. AWG 14 (2.5 mm ²)
Wire diameter	0.3 mm to max. 2.7 mm
Temperature range	
Operation	+14 °F to +131 °F (-10 °C bis +55 °C)
Storage	-13 °F to +185 °F (-25 °C bis +85 °C)
Display	
Operation	green LED
Additional documents	
Mounting note, certificates	All additional documents are available for download at www.metz-connect.com



Dimensional drawing

